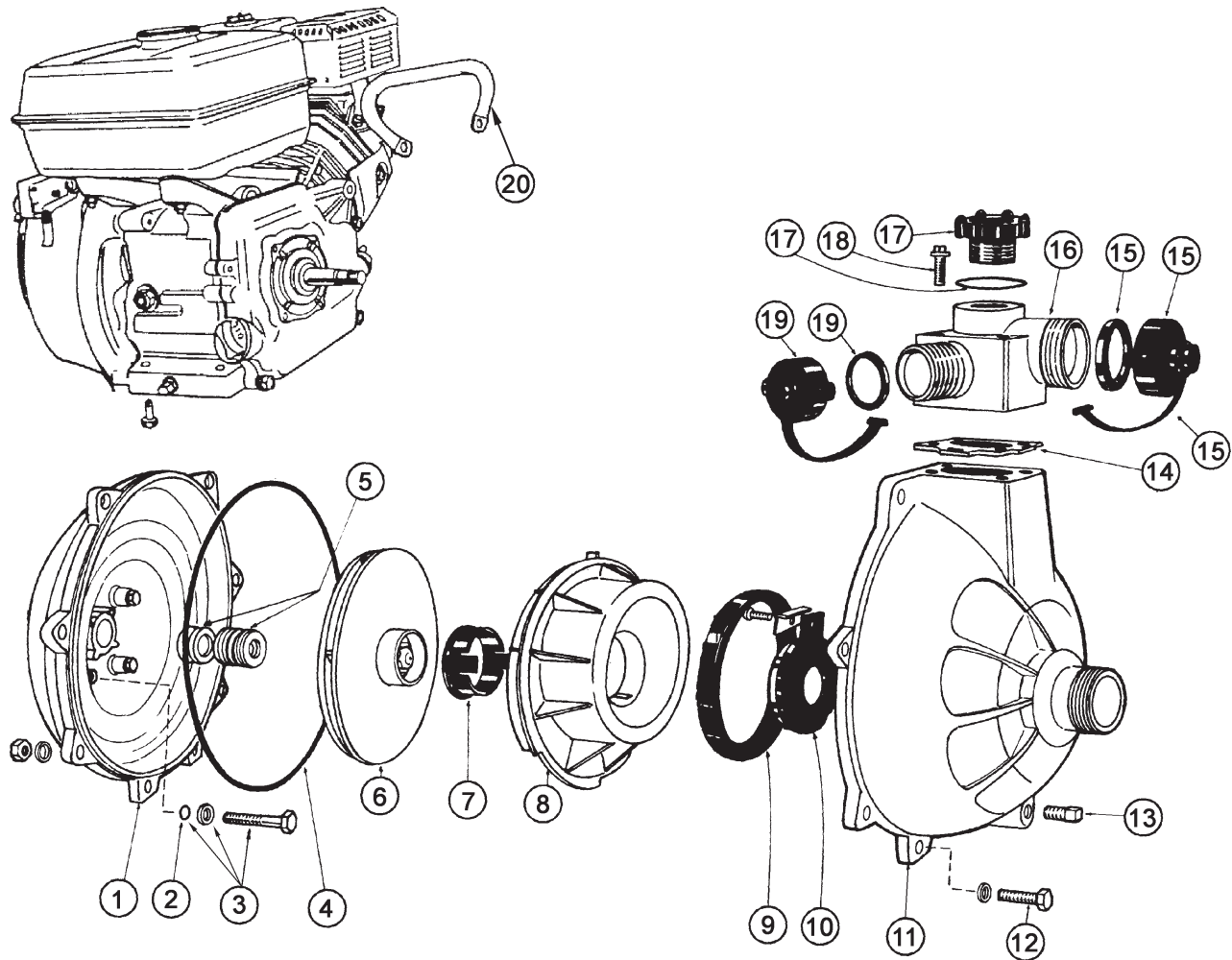


DAVEY FIREFIGHTER 93 SERIES - ENGINE DRIVEN SELF PRIMING PUMPS

Honda, 5.5hp, Single Impeller
 Briggs & Stratton, 6hp, Single Impeller
 CKD Kit, 5/8", Single Impeller

93106
 93134
 93140

- Notes: A. Seal kit includes parts 2,3,4,5,7,9,10,12,13,14
 B. Impeller kit includes parts 6,8
 C. Discharge kit include parts 14,15,16,17,18,19
 D. CKD kit includes all parts 1-20



DAVEY U.S. SERVICE CENTER RETAIL PRICE LIST effective June 1st, 2010. All prices in USD and subject to change without notice. Drawings are indicative only, product appearance may change slightly. Some parts are special order only with extended lead times from the factory.

To order call Toll Free 866-626-7867 or email: sales@primopumps.com

DAVEY FIREFIGHTER 93 SERIES - ENGINE DRIVEN SELF PRIMING PUMPS

Honda, 5.5hp, Single Impeller	93106
Briggs & Stratton, 6hp, Single Impeller	93134
CKD Kit, 5/8", Single Impeller	93140

- Notes: A. Seal kit includes parts 2,3,4,5,7,9,10,12,13,14
 B. Impeller kit includes parts 6,8
 C. Discharge kit include parts 14,15,16,17,18,19
 D. CKD kit includes all parts 1-20

ITEM	DESCRIPTION	QTY	PART NO. or KIT	LIST PRICE
1	Yoke - rear yellow 1.5" NPT	1	11421SP	169.95
2	Oring - pack of 5	4	Kit A	
3	Kit - bolt washer oring (pk4)	4	Kit A	
4	Oring - casing	1	Kit A	
5	Seal - mechanical	1	Kit A	
6	Impeller	1	Kit B	
7	Insert - neckring	1	Kit A	
8	Diffuser coverplate	1	Kit B	
9	Ring - sealing	1	Kit A	
10	Checkvalve assy	1	Kit A	
11	Casing - front yellow 1.5" NPT	1	11503-3SPY	169.95
12	Kit - bolt nut & washer	8	Kit A	
13	Plug 0.25" NPT	1	Kit A	
14	Gasket - outlet	1	Kit A, Kit C or (Pack of 3) 10494*3	25.95
15	Cap assy blank 1.5" NPT	1	Kit C	
16	Discharge - 3 way yellow NPT	1	Kit C	
17	Plug & oring - priming	1	Kit C	
18	Screw (pack of 4)	4	Kit C	
19	Cap assy blank 1" NPT	2	Kit C	
20	Handle - Yellow	1	11388SP	29.95
A	Seal Kit	1	SLKIT-FF93S58	129.95
B	Impeller Kit	1	IMPKIT-FF93S58	189.95
C	Discharge kit - NPT	1	31475Y	169.95
D	CKD Kit	1	93140C	795.00

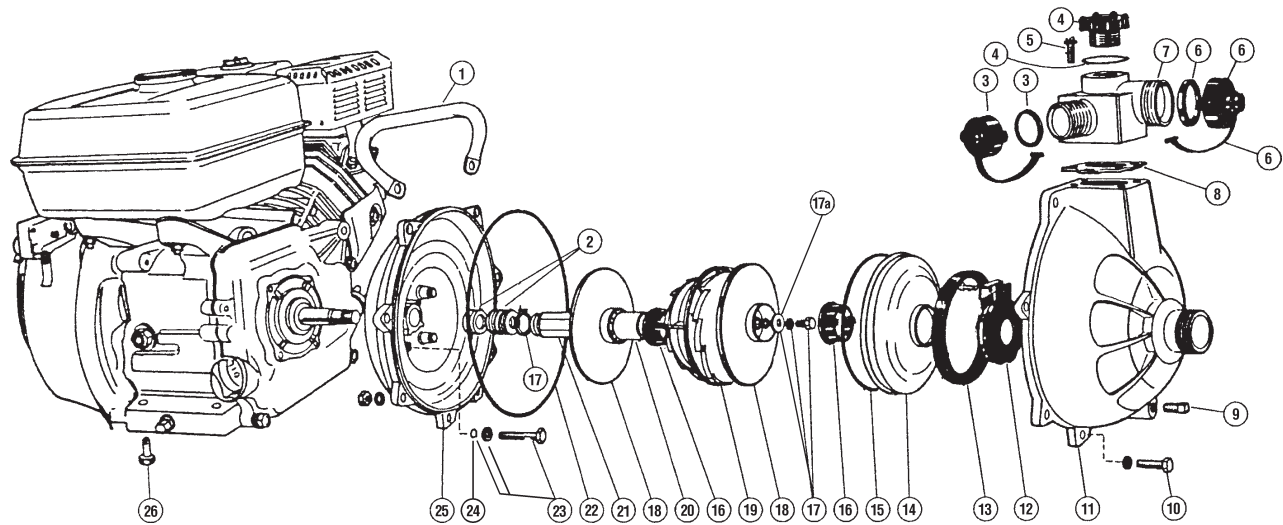
DAVEY U.S. SERVICE CENTER RETAIL PRICE LIST effective June 1st, 2010. All prices in USD and subject to change without notice. Drawings are indicative only, product appearance may change slightly. Some parts are special order only with extended lead times from the factory.

To order call Toll Free 866-626-7867 or email: sales@primopumps.com

DAVEY FIREFIGHTER 93 SERIES - ENGINE DRIVEN SELF PRIMING PUMPS

Honda, 5.5hp, Twin Impeller	93206
Honda, 6.5hp, Twin Impeller	93216
Briggs & Stratton, 6hp, Vanguard, Twin Impeller	93234
Briggs & Stratton, 9hp, Vanguard, Twin Impeller, Electric Start	93254
Briggs & Stratton, 13hp, Vanguard, Twin Impeller, Electric Start	93274
Yanmar, 7hp, Twin Impeller, Diesel	93227
CKD Kit 5/8", Twin Impeller	93200
CKD Kit 1", Twin Impeller	93240

- Notes: A. Seal kit includes parts 2,9,12,13,15,16,17,22,23,24
 B. Impeller kit includes parts 14,18,19,20,21
 C. Discharge kit includes parts 3,4,5,6,7,8
 D. CKD kit includes all parts 1-25



DAVEY U.S. SERVICE CENTER RETAIL PRICE LIST effective June 1st, 2010. All prices in USD and subject to change without notice. Drawings are indicative only, product appearance may change slightly. Some parts are special order only with extended lead times from the factory.

To order call Toll Free 866-626-7867 or email: sales@primopumps.com

DAVEY FIREFIGHTER 93 SERIES - ENGINE DRIVEN SELF PRIMING PUMPS

Honda, 5.5hp, Twin Impeller	93206
Honda, 6.5hp, Twin Impeller	93216
Briggs & Stratton, 6hp, Vanguard, Twin Impeller	93234
Briggs & Stratton, 9hp, Vanguard, Twin Impeller, Electric Start	93254
Briggs & Stratton, 13hp, Vanguard, Twin Impeller, Electric Start	93274
Yanmar, 7hp, Twin Impeller, Diesel	93227
CKD Kit 5/8", Twin Impeller	93200
CKD Kit, 1", Twin Impeller	93240

- Notes: A. Seal kit includes parts 2,9,12,13,15,16,17,22,23,24
 B. Impeller kit includes parts 14,18,19,20,21
 C. Discharge kit includes parts 3,4,5,6,7,8
 D. CKD kit includes all parts 1-25

ITEM	DESCRIPTION	QTY	PART NO. or KIT	LIST PRICE
1	Handle - red	1	11388SPR	29.95
2	Seal - mechanical	1	Kit A	
3	Cap assy blank 1" NPT	2	Kit C	
4	Plug & oring - priming	1	Kit C	
5	Screw	4	Kit C	
6	Cap assy blank 1.5" NPT	1	Kit C	
7	Discharge - 3 way NPT red	1	Kit C	
8	Gasket - outlet	1	Kit A, Kit C or (Pack of 3) 10494*3	25.95
9	Plug 0.25" NPT	1	Kit A	
10	Kit - bolt nut & washer	8	Kit A	
11	Casing - front red 1.5" NPT	1	11503-3SPR	169.95
12	Checkvalve assy	1	Kit A	
13	Ring - sealing	1	Kit A	
14	Diffuser coverplate	1	Kit B	
15	Oring - coverplate	1	Kit A	
16	Insert - neckring	2	Kit A	
17	Impeller Bolt Kit - 5.5hp & 6hp only	1	Kit A	
18	Impeller - 1st stage	1	Kit B	
18	Impeller - 2nd stage	1	Kit B	
19	Diffuser	1	Kit B	
20	Spacer - 5.5hp & 6hp only	1	Kit B	
21	Shaft - 5.5hp & 6hp only	1	Kit B	
22	Oring - casing	1	Kit A	
23	Bolt - yoke w/washer	4	Kit A	
24	Oring - yoke bolt	4	Kit A	
25	Yoke - red 5.5hp & 6hp only	1	11421SPR	169.95
25	Yoke - red 9 & 13 hp only	1	11421-4SPR	169.95
	Bracket support	1	11713SPR	29.95
A	Seal Kit - 5.5hp & 6hp only	1	SLKIT-FF93T58	169.95
A	Seal Kit - 9hp & 13hp only	1	SLKIT-FF93T10	199.95
B	Impeller Kit - 5.5hp & 6hp only	1	IMPKIT-FF93T58	369.95
B	Impeller Kit - 9hp & 13hp only	1	IMPKIT-FF93T10	399.95
C	Discharge kit - NPT	1	31475R	169.95
D	CKD Kit, 5.5hp & 6hp only	1	93200C	995.00
D	CKD Kit, 9hp & 13hp only	1	93240C	1095.00

DAVEY U.S. SERVICE CENTER RETAIL PRICE LIST effective June 1st, 2010. All prices in USD and subject to change without notice. Drawings are indicative only, product appearance may change slightly. Some parts are special order only with extended lead times from the factory.

To order call Toll Free 866-626-7867 or email: sales@primopumps.com