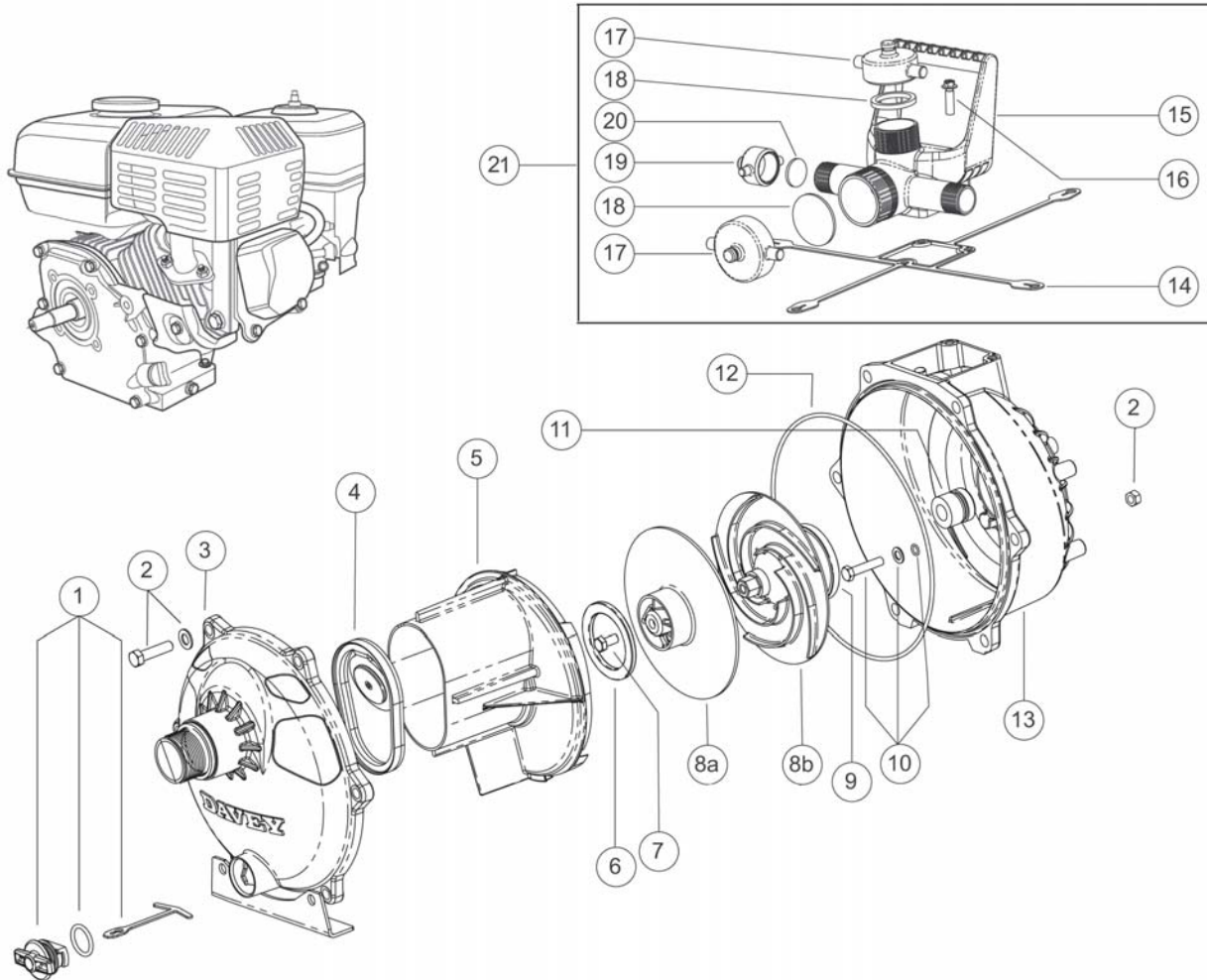


DAVEY FIREFIGHTER 5 SERIES - ENGINE DRIVEN SELF PRIMING PUMPS

Honda, 5.5hp, Single Impeller
 Briggs & Stratton, 6hp, Single Impeller
 CKD Kit, 5/8", Single Impeller

5155H/NPT
 5160B/NPT
 5158C/NPT

- Notes: A. Seal kit includes parts 1,2,4,6,7,9,10,11,12
 B. Impeller kit includes parts 5,7,8a,8b
 C. Discharge kit include parts 14,15,16,17,18,19,20
 D. CKD kit includes all parts 1-21



DAVEY U.S. SERVICE CENTER RETAIL PRICE LIST effective June 1st, 2010. All prices in USD and subject to change without notice. Drawings are indicative only, product appearance may change slightly. Some parts are special order only with extended lead times from the factory.

To order call Toll Free 866-626-7867 or email: sales@primopumps.com

DAVEY FIREFIGHTER 5 SERIES - ENGINE DRIVEN SELF PRIMING PUMPS

Honda, 5.5hp, Single Impeller
 Briggs & Stratton, 6hp, Single Impeller
 CKD Kit, 5/8", Single Impeller

5155H/NPT
 5160B/NPT
 5158C/NPT

- Notes: A. Seal kit includes parts 1,2,4,6,7,9,10,11,12
 B. Impeller kit includes parts 5,7,8a,8b
 C. Discharge kit include parts 14,15,16,17,18,19,20
 D. CKD kit includes all parts 1-21

ITEM	DESCRIPTION	QTY	PART NO.	LIST PRICE
1	Priming / drain plug assy	1	Included in Seal Kit A	
2	Kit - bolt & nut (pk 6)	1	Included in Discharge Kit C	
3	Casing - front yellow 1.5" NPT	1	13040-1SPY	169.95
4	Flap valve assembly	1	Included in Seal Kit A	
5	Diffuser coverplate	1	Included in Impeller Kit B	
6	Neckring	1	Included in Seal Kit A	
7	Screw - impeller	1	Included in Seal Kit A	
8	Impeller Assembly	1	Included in Impeller Kit B	
9	Neckring balance	1	Included in Seal Kit A	
10	Kit - bolt washer oring (pk4)	1	Included in Seal Kit A	
11	Seal - mechanical	1	Included in Seal Kit A	
12	Oring - casing	1	Included in Seal Kit A	
13	Casing - rear yellow	1	13039P	169.95
14	Gasket - discharge 3 way	1	13539 (Incl. in Discharge Kit C)	9.95
15	Outlet 3 way NPT	1	Included in Discharge Kit C	
16	Screw handle (3 pack)	1	Included in Discharge Kit C	
17	Cap assy blank 1.5" NPT	2	Included in Discharge Kit C	
18	Gasket 1 1/2" cap	2	Included in Discharge Kit C	
19	Cap assy blank 1" NPT	2	Included in Discharge Kit C	
20	Gasket - 1" cap	2	Included in Discharge Kit C	
A	Seal Kit	1	SLKIT-FF5S58	129.95
B	Impeller Kit	1	IMPKIT-FF5S58	199.95
21 C	Discharge Kit - NPT	1	32333	199.95
D	CKD Kit	1	5158C/NPT	795.00

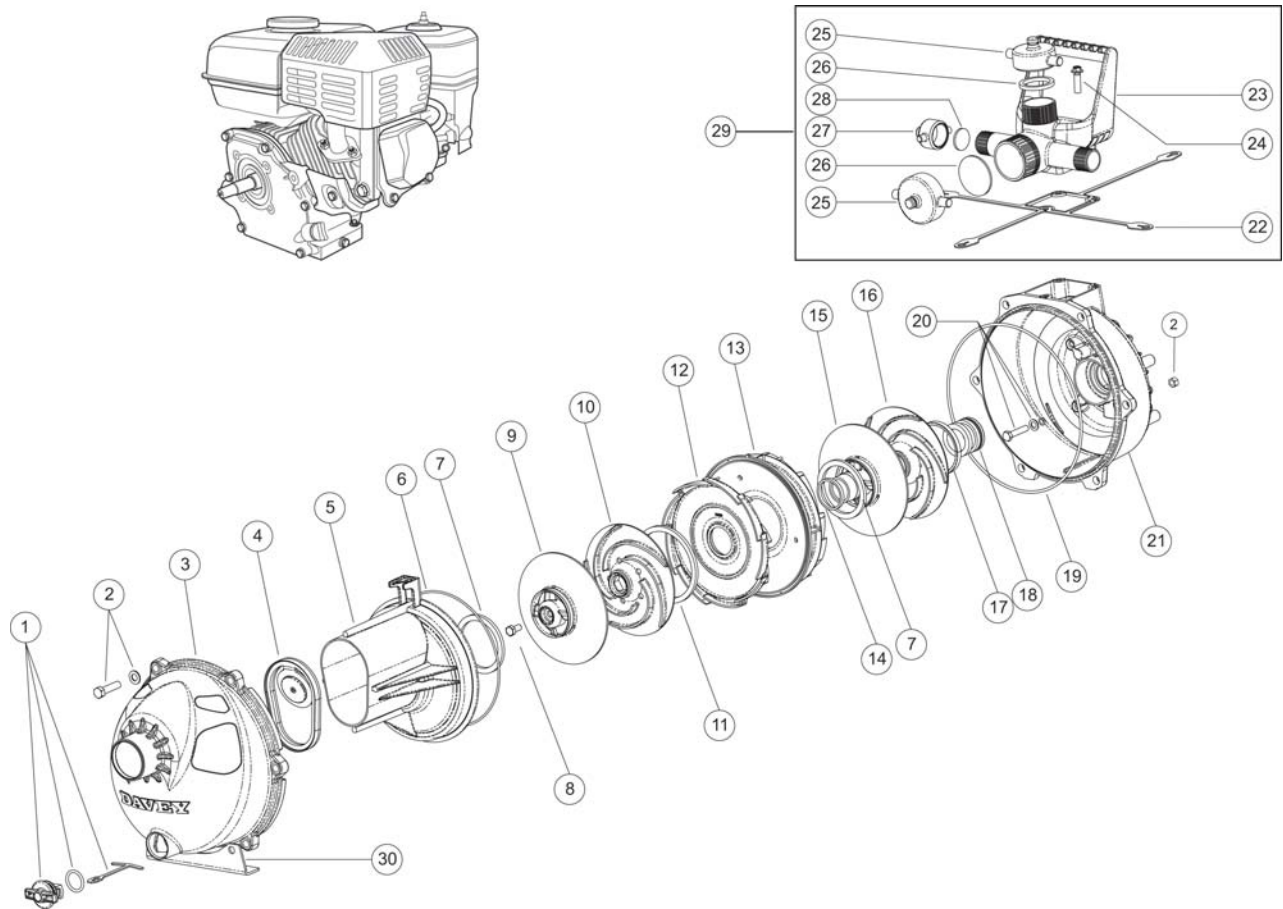
DAVEY U.S. SERVICE CENTER RETAIL PRICE LIST effective June 1st, 2010. All prices in USD and subject to change without notice. Drawings are indicative only, product appearance may change slightly. Some parts are special order only with extended lead times from the factory.

To order call Toll Free 866-626-7867 or email: sales@primopumps.com

DAVEY FIREFIGHTER 5 SERIES - ENGINE DRIVEN SELF PRIMING PUMPS

Honda, 5.5hp, Twin Impeller	5255H/NPT
Briggs & Stratton, 6hp, Twin Impeller	5260B/NPT
Briggs & Stratton, 9hp, Twin Impeller, Electric Start	5290BE/NPT
Honda, 9hp, Twin Impeller, Electric Start	5290HE/NPT
Briggs & Stratton, 13hp, Twin Impeller, Electric Start	5213BE/NPT
Honda, 13hp, Twin Impeller, Electric Start	5213HE/NPT
CKD Kit, 5/8 Twin Impeller	5258C/NPT
CKD Kit, 1 Twin Impeller	5210C/NPT

- Notes: A. Seal kit includes parts 1,2,4,6,7,8,11,14,17,18,20
 B. Impeller kit includes parts 5,8,9,10,12,13,15,16
 C. Discharge kit includes parts 22,23,24,25,26,27,28
 D. CKD kit includes all parts 1-30



DAVEY U.S. SERVICE CENTER RETAIL PRICE LIST effective June 1st, 2010. All prices in USD and subject to change without notice. Drawings are indicative only, product appearance may change slightly. Some parts are special order only with extended lead times from the factory.

To order call Toll Free 866-626-7867 or email: sales@primopumps.com

DAVEY FIREFIGHTER 5 SERIES - ENGINE DRIVEN SELF PRIMING PUMPS

Honda, 5.5hp, Twin Impeller	5255H/NPT
Briggs & Stratton, 6hp, Twin Impeller	5260B/NPT
Briggs & Stratton, 9hp, Twin Impeller, Electric Start	5290BE/NPT
Honda, 9hp, Twin Impeller, Electric Start	5290HE/NPT
Briggs & Stratton, 13hp, Twin Impeller, Electric Start	5213BE/NPT
Honda, 13hp, Twin Impeller, Electric Start	5213HE/NPT
CKD Kit, 5/8 Twin Impeller	5258C/NPT
CKD Kit, 1 Twin Impeller	5210C/NPT

- Notes: A. Seal kit includes parts 1,2,4,6,7,8,11,14,17,18,20
 B. Impeller kit includes parts 5,8,9,10,12,13,15,16
 C. Discharge kit includes parts 22,23,24,25,26,27,28
 D. CKD kit includes all parts 1-30

ITEM	DESCRIPTION	QTY	PART NO.	LIST PRICE
1	Priming / drain plug assy	1	Included in Seal Kit A	
2	Kit - bolt & nut (pk 6)	1	Included in Seal Kit A	
3	Casing - front red 1.5" NPT	1	13525-3PR	169.95
4	Flap valve assembly	1	Included in Seal Kit A	
5	Diffuser Cover plate	1	Included in Impeller Kit B	
6	Oring - coverplate	1	Included in Seal Kit A	
7	Neck ring	2	Included in Seal Kit A	
8	Screw - impeller	1	Included in Seal Kit A	
9	Impeller top - 1st stage	1	Included in Impeller Kit B	
10	Impeller bottom - 1st stage	1	Included in Impeller Kit B	
11	Neck ring	1	Included in Seal Kit A	
12	Diffuser 1st stage	1	Included in Impeller Kit B	
13	Diffuser 2nd stage	1	Included in Impeller Kit B	
14	Neck ring - inner stage	1	Included in Seal Kit A	
15	Impeller top - 2nd stage	1	Included in Impeller Kit B	
16	Impeller bottom - 2nd stage	1	Included in Impeller Kit B	
17	Neckring balance	1	Included in Seal Kit A	
18	Seal mechanical	1	Included in Seal Kit A	
19	Oring - casing	1	Included in Seal Kit A	
20	Kit - bolt washer oring (pk4)	1	Included in Seal Kit A	
21	Casing - rear red 5.5hp & 6hp only	1	13039SPR	169.95
21	Casing - rear red 9 & 13hp only	1	13039-1SPR	169.95
22	Gasket - discharge 3 way	1	13539 (Incl. in Discharge Kit C)	9.95
23	Outlet 3 way NPT	1	Included in Discharge Kit C	
24	Screw handle (3 pack)	1	Included in Discharge Kit C	
25	Cap assy blank 1.5" NPT	2	Included in Discharge Kit C	
26	Gasket 1 1/2" cap	2	Included in Discharge Kit C	
27	Cap assy blank 1" NPT	2	Included in Discharge Kit C	
28	Gasket - 1" cap	2	Included in Discharge Kit C	
30	Bracket - front case 9 & 13hp only	1	13425PR	44.95
	Disc - location 9hp & 13hp only	1	12625-1	29.95
A	Seal kit - 5.5hp & 6hp only	1	SLKIT-FF5T58	199.95
A	Seal kit - 9hp & 13hp only	1	SLKIT-FF5T10	299.95
B	Impeller Kit - 5.5hp & 6hp only	1	IMPKIT-FF5T58	299.95
B	Impeller Kit - 9hp & 13hp only	1	IMPKIT-FF5T10	499.95
B	Impeller Kit - 13hp only	1	IMPKIT-FF5T1013	499.95
29	C Discharge Kit - NPT	1	32334	199.95
D	CKD Kit - 5.5hp & 6.5hp only	1	5258C/NPT	995.00
D	CKD Kit - 9hp only	1	5210C/NPT	1395.00

DAVEY U.S. SERVICE CENTER RETAIL PRICE LIST effective June 1st, 2010. All prices in USD and subject to change without notice. Drawings are indicative only, product appearance may change slightly. Some parts are special order only with extended lead times from the factory.

To order call Toll Free 866-626-7867 or email: sales@primopumps.com